



Description:

DLT32S Series is solar powered obstruction light. Solar function makes it a self-contained and almost car-free light unit.

The light system is composed of 3 parts: light, battery box and solar panel. When the light and solar panel connected to the battery box, the whole system can be mounted on a tower. Both vertical mounting and horizontal mounting are available.

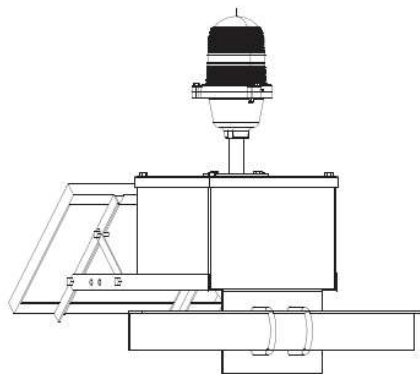
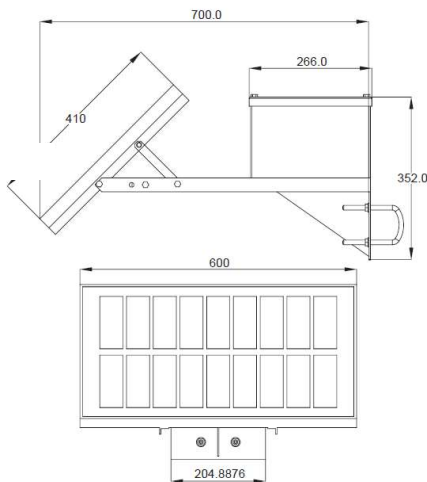
DLT32S is equipped with a 12Ah VRLA (voltage regulated lead acid) rechargeable battery which could power the light up to 5 days when the weather is cloudy and rainy. The 12Ah VRLA battery is also easy to find almost anywhere.

Both single light & double light are available in this series.

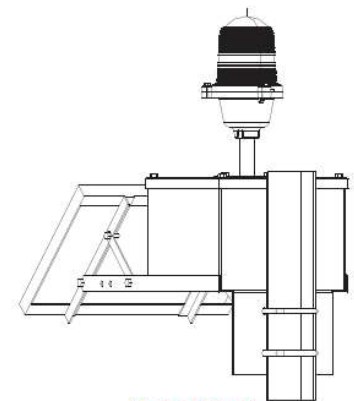
Features& Benefits:

- High quality optics for excellent beam spread control
- Ultra-light LEDs, energy saving
- Self-contained without outside power supply
- Maximum visibility distance 7.6 KM
- Once fully charged, it can work for up to 5 days
- All hardware of obstruction lights are made of corrosion resistant metals.
- Bird spikes for protection against droppings.
- Use of quality components and sophisticated technology reduce chances of maintenance and replacement.
- LED light source ensures long lifetime, maintenance free
- Shock and vibration resistant
- Corrosion resistant and UV stable polycarbonate housing
- Ease of mount, mount accessories available

Installation Drawing:



Horizontal Mount



Vertical Mount

Specifications:

LIGHT OUT-PUT	
SPECIFICATIONS	32.5 Candela
Nominal Night Range	>7.6 KM
LED Color Available	Red
Vertical Divergence	10 Degree
Horizontal Out-put	360 Degree
Illumination	Ultra-bright LEDs
LED Lifespan	100,000 Hours
OPERATION	
Autonomy	5 days
On & Off Level	70/100 Lux
Flash Pattern	Steady buring
POWER SUPPLY	
Power Source	Solar module, mono-crystalline silicon
Solar Efficiency	13.5%
Battery Capacity	VRLA, 12V/12Ah
Battery Replacement	Yes, replaceable
MECHANICAL STRUCTURE	
Lens	Polycarbonate, UV Stabilize
Body	Polycarbonate or Die-casting Aluminum
Water-proof	IP65
Weight	12 kg
Temperature Range	-40 ~ +55
Warranty	5 years for light 2 years for VRLA battery



Applications:

- High rise building marking
- Road obstruction marking
- Port, dock entrance&walkway
- Offshore gas&oil platform
- Telecom tower marking
- Wind turbine
- Bridge cranes